

CHARLAND THERMOJET INC

Mixing units and hoses stations

16350 Boul. Gouin Ouest, Ste-Geneviève, Québec H9H 1E1

Toll free : 1-800-624-4709 Tel : 514-624-4772 Fax : 624-4776

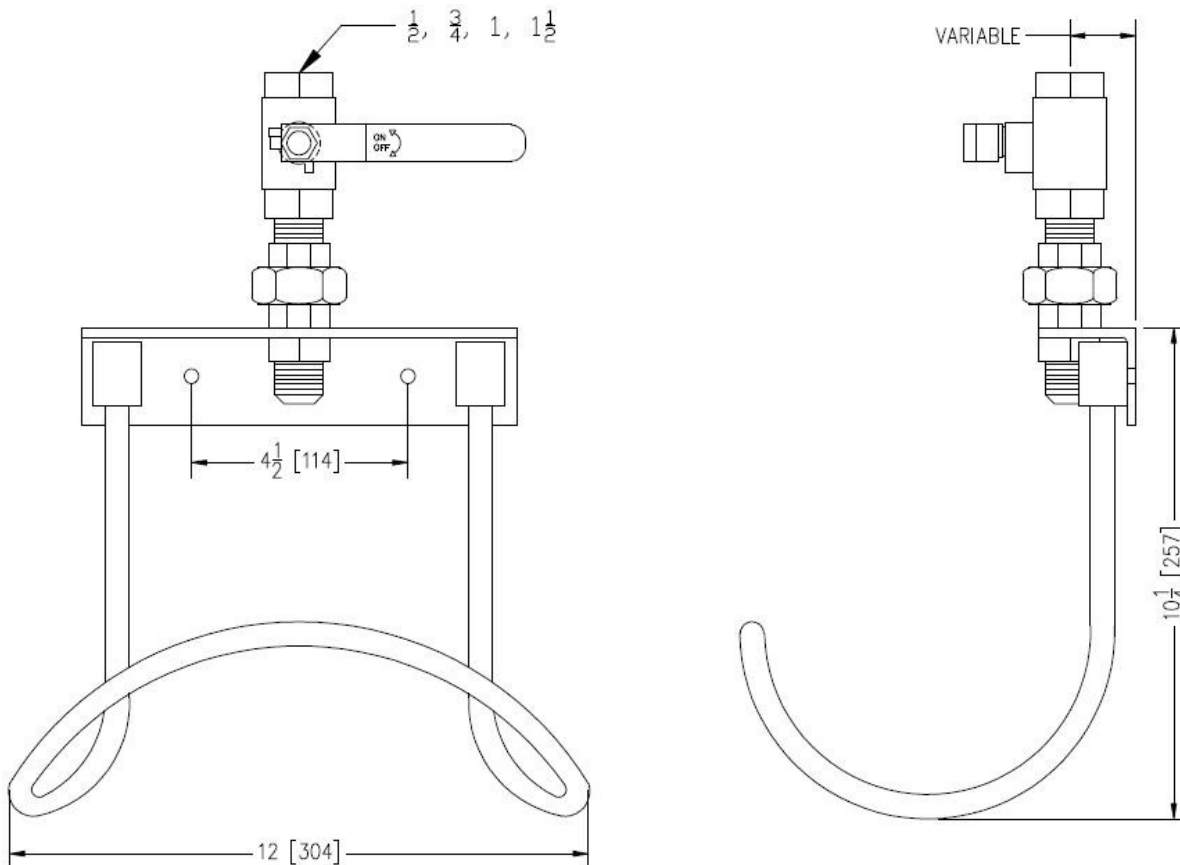
E-mail : info@charlandthermojet.com Web : www.charlandthermojet.com

L-553-BV-41

SIMPLE WASHING STATION FOR HOT OR COLD WATER WITH BALL VALVE

L-553-BV-41 model wall mounted for a wide range of available flow rate. Answering your industrial need in hot or cold water depending the size and temperature of the water line supply. Entry size from 1/2" (13 mm) to 1-1/2" (38 mm). Ideal for many type of simple cleaning tasks who required hot or cold water in every industrial plants who doesn't have access to a steam line. Rapid and easy to use.

Unit & hose : for use with hot and cold WATER only.



CHARLAND THERMOJET INC

Mixing units and hoses stations

16350 Boul. Gouin Ouest, Ste-Geneviève, Québec H9H 1E1

Toll free : 1-800-624-4709 Tel : 514-624-4772 Fax : 624-4776

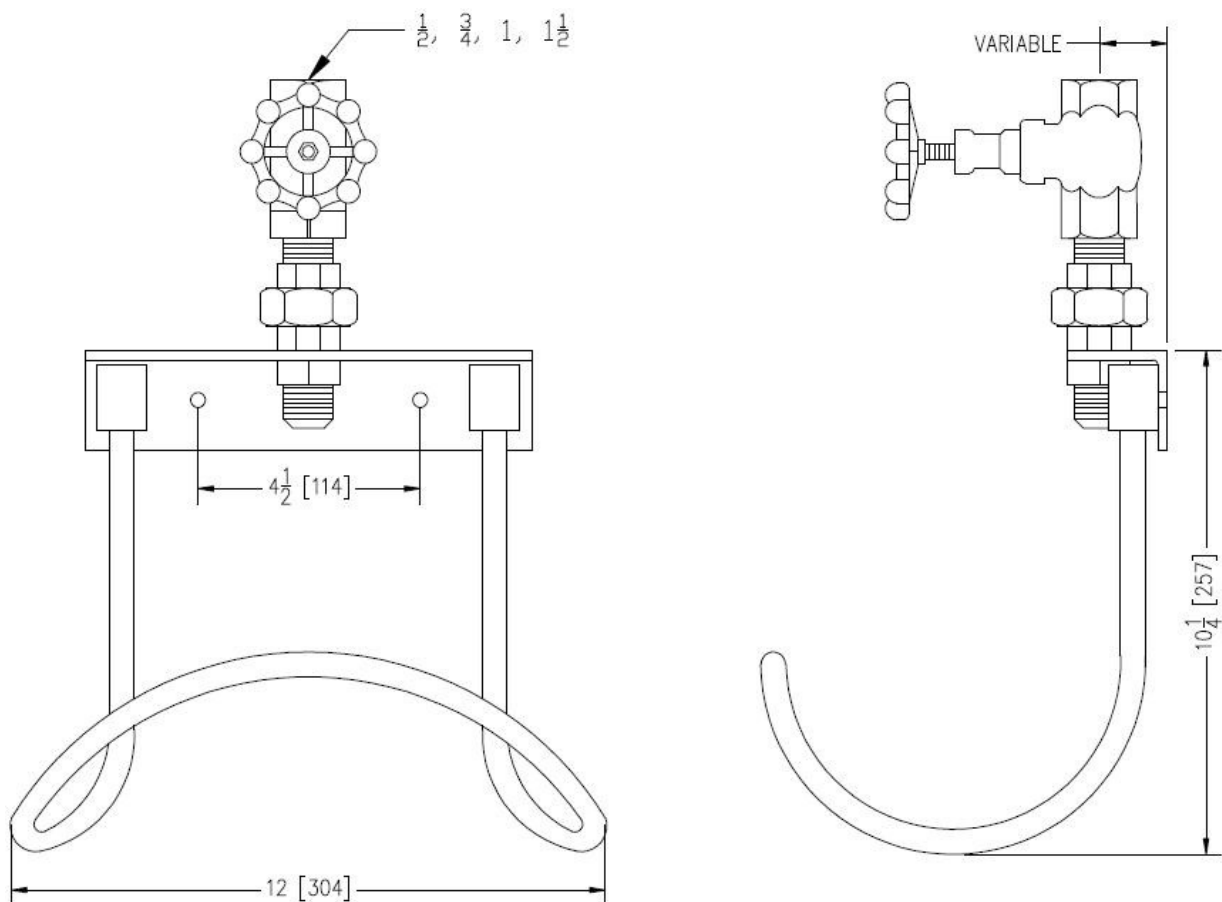
E-mail : info@charlandthermojet.com Web : www.charlandthermojet.com

L-553-GV-41

SIMPLE WASHING STATION FOR HOT OR COLD WATER WITH GLOBE VALVE

L-553-GV-41 wall mounted model for a wide range of available flow rate. Answering your industrial need in hot or cold water depending the size and temperature of the water line supply. Entry size from 1/2" (13 mm) to 1-1/2" (38 mm). Ideal for many type of simple cleaning tasks who required hot or cold water in every industrial plants who doesn't have access to a steam line. Rapid and easy to use.

Unit & hose : for use with hot and cold WATER only.



L-553-BV-41 ET L-553-GV-41

CHARLAND THERMOJET INC

Mixing units and hoses stations

16350 Boul. Gouin Ouest, Ste-Geneviève, Québec H9H 1E1

Toll free : 1-800-624-4709 Tel : 514-624-4772 Fax : 624-4776

E-mail : info@charlandthermojet.com Web : www.charlandthermojet.com

SIMPLE WASHING STATION FOR HOT OR COLD WATER WITH BALL OR GLOBE VALVE

FEATURES

- Maximum operating pressure :150 PSI (1034 kPa).
- Maximum operating temperature : 200 °F (93 °C).
- Required water pressure : 0 à 150 PSI (0 to 1034 kPa).
- High quality ball or globe valve made of brass.
- Available entry size : ½" à 1 ½" (12.7 to 38 mm) et même plus.
- Many exit size available.

OPTIONS

- Vacuum breaker.
- Stainless steel hose rack for wall mounting.
- Temperature gauge made of stainless steel with a plastic cover to reduce risk of injuries.
- High quality ball or globe valve made of stainless steel.
- High quality (FDA) 2 ply reinforced hose good for up to 150 PSI (1034 kPa) at 200 °F (93 °C).
- Different kind of unions.
- Automatic gun for small or wide open water jet.
- Hose reel.
- Embedded or on-surface stainless steel case.

For more information or any questions please contact us or view our complete catalog.