

CHARLAND THERMOJET INC

Mixing units, wash down and hoses stations

16350 Boul. Gouin Ouest, Ste-Geneviève, Québec H9H 1E1

Tel : 1-800-624-4709 (514)624-4772 Fax : 624-4776

Email : charlandthermojet@videotron.ca Web: www.charlandthermojet.com

RN2000 Industrial Stainless Steel Hygienic Reels Series

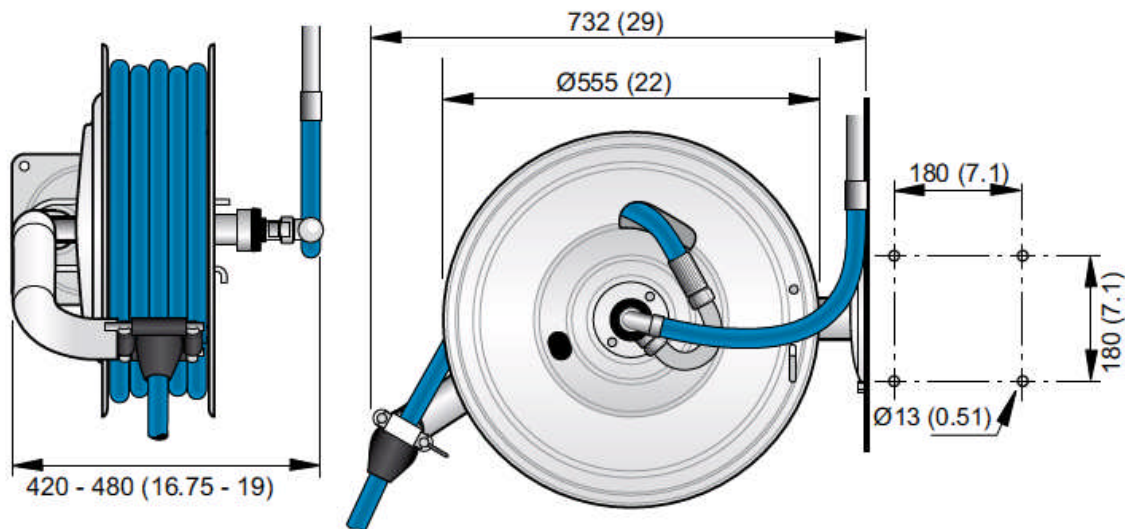
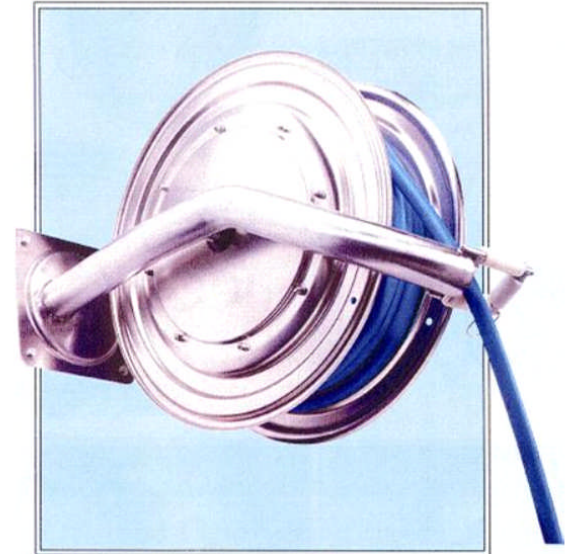
The Ultimate High Capacity Retractable Hose Reel Series

Reel of heavy duty desing, Stainless Steel.

Water, 3/8", 1/2", 3/4", 1" I.D.

Series RN2000 specially developed for industrial segments with high hygienic demands. Its design, in stainless steel with smooth and sloping surfaces, ensures that it will pass the toughest regulations regarding hygiene and asepis.

- Mechanical components such as spring and ratchet mechanism are well protected inside the drum cavity.
- Delivered with the spring pretensioned to suit stated hose capacity.
- The hose outlet is easily dismantled for cleaning.



Model Number Without hose & bumper	Max. Working pressure		Use for	Hose I.D.		Lenght m / ft
	Mpa	psi		mm	in	
RN2001	1.5	220	WATER MAX. 92°C	25	1"	10 33'
RN2002	1.5	220	WATER MAX. 92°C	19	3/4"	18 59'
RN2003	1.5	220	WATER MAX. 92°C	12.5	1/2"	25 82'
RN2004	18	2600	WATER MAX. 150°C	10	3/8"	25 82'

CHARLAND THERMOJET INC

Mixing units, wash down and hoses stations

16350 Boul. Gouin Ouest, Ste-Geneviève, Québec H9H 1E1

Tel : 1-800-624-4709 (514)624-4772 Fax : 624-4776

Email : charlandthermojet@videotron.ca Web: www.charlandthermojet.com

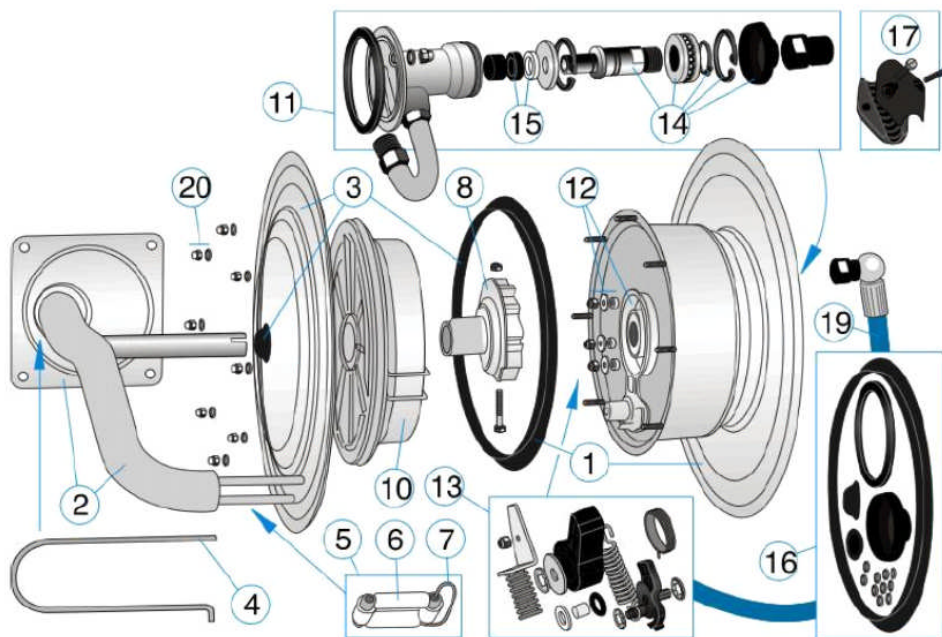
RN2000 Industrial Stainless Steel Hygienic Reels Series

The Ultimate High Capacity Retractable Hose Reel Series

Replacement Parts

When ordering, please specify the followings:

- Model and control number (plate).
- Part number (list).
- Quantity.



Replacement parts Hose Reel Series RN2000			
1. Drum incl. seal	7. Locking split pin	13. Ratchet set	19. Intake hose 1 m
2. Stand with foot plate	8. Spring hub / ratchet plate	14. Swivel shaft / bearing / gaiter	20. Dome nuts / sealing washer, set
3. Drums ide incl. seal	9. ****	15. Seal / support washer	21. ****
4. Safety loop	10. Spring cassette complete	16. Seal, set	22. ****
5. Outlet, complete	11. Swivel, complete	17. Hose stop	23. ****
6. Outlett rollers, set	12. Ratchet arm with bearing	18. ****	