

# CHARLAND THERMOJET INC

Mixing units, wash down and hoses stations

16350 Boul. Gouin Ouest, Ste-Geneviève, Québec H9H 1E1

Tel : 1-800-624-4709 (514)624-4772 Fax : 624-4776

Email : charlandthermojet@videotron.ca Web: www.charlandthermojet.com

## RN1000 Industrial Reels Series

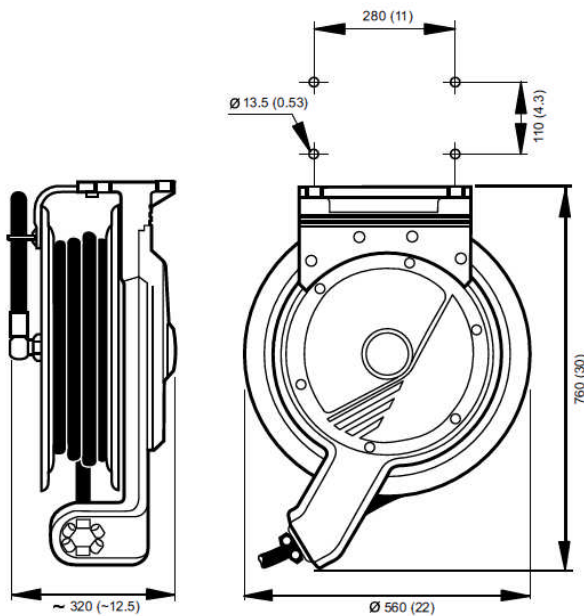
*The Ultimate High Capacity Retractable Hose Reel Series*

**Reel of heavy duty desing, die-cast aluminium. For long and heavy hoses, handling air and various types of fluids.**

**Air/ Water / Oil / Grease - 1/4", 3/8", 1/2", 3/4", 1" I.D.**

Series RN1000 is designed for floor, wall and ceiling mounting in the toughest applications.

- The drum and swivel are designed with ball bearings to reduce friction and wear.
- The inner mechanism, such as spring and bearings, is well protected by an ABS-plastic cover.
- To minimize friction, the outlet arm is adjustable to provide an optimal pull-out angle of the hose.



Model Number Without hose & bumper	Max. Working pressure		Use for	Hose I.D.		Lenght		Max. hose capacity on the drum	
	Mpa	psi		mm	in	m	ft	m	mm
RN1001	1.5	220	Air/Water	19	3/4"	15	50'	17	29
RN1002	1.5	220	Air/Water	12.5	1/2"	30	98'	30	23
RN1003	1.5	220	Air/Water	25	1"	10	33'	12	39
RN1004	1.5	220	Air/Water	12.5	1/2"	20	65'	23	23
RN1005	5.0	725	Oil	12.5	1/2"	20	65'	20	23
RN1005	5.0	725	Oil	12.5	1/2"	15	50'	20	23
RN1006	5.0	725	Oil	19	3/4"	15	50'	17	29
RN1007	5.0	725	Oil	12.5	1/2"	30	98'	30	23
RN1008	5.0	725	Oil	25	1"	10	33'	12	39
RN1009	18	2600	Water	10	3/8"	25	82'	30	17
RN1010	35	5100	Grease	6.3	1/4"	25	82'	25	17

# CHARLAND THERMOJET INC

Mixing units, wash down and hoses stations

16350 Boul. Gouin Ouest, Ste-Geneviève, Québec H9H 1E1

Tel : 1-800-624-4709 (514)624-4772 Fax : 624-4776

Email : charlandthermojet@videotron.ca Web : www.charlandthermojet.com

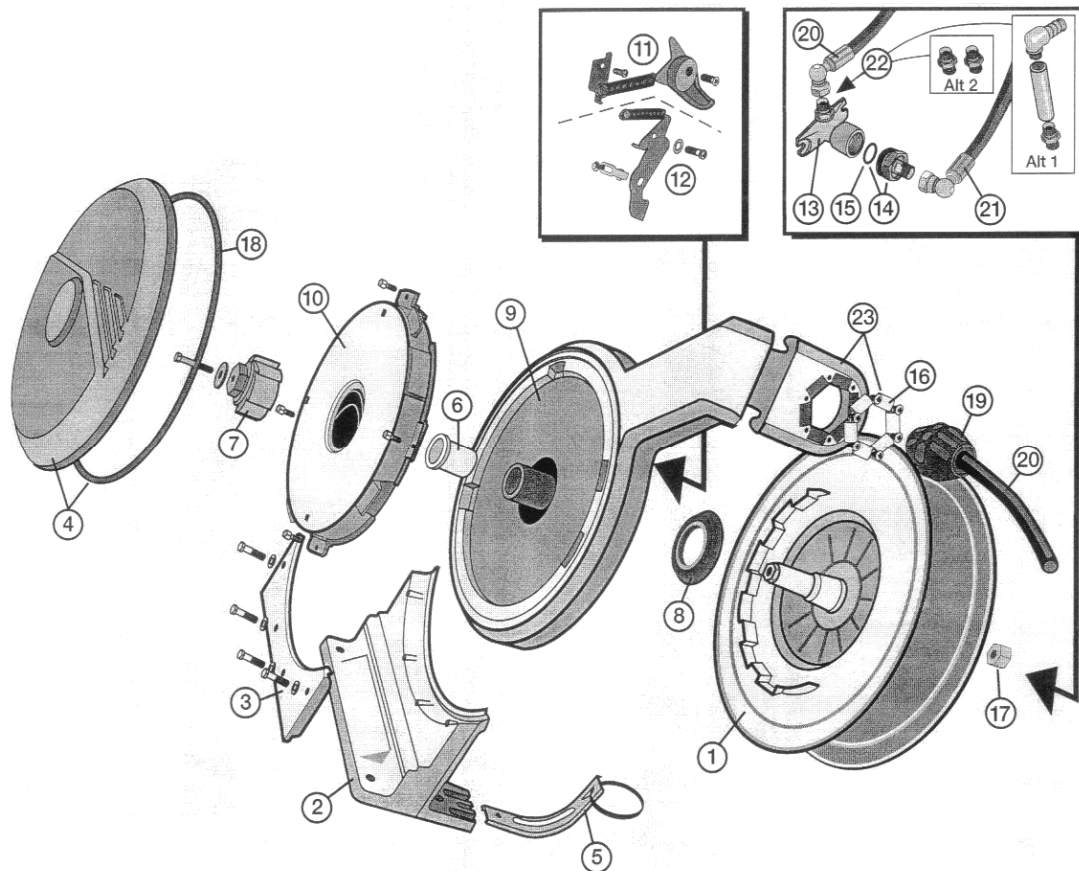
## RN1000 Industrial Reels Series

*The Ultimate High Capacity Retractable Hose Reel Series*

### Replacement Parts

When ordering, please specify the followings:

- Model and control number (plate).
- Part number (list).
- Quantity.



#### Replacement parts Hose Reel Series RN1000

1. Drum	7. Spring hub	13. Included in pos.14	19. Hose Stop
2. Bracket	8. Bearing	14. Swivel complete	20. Admission hose
3. Clamp	9. Spring assembly with bracket	15. Seal	21. Inlet hose
4. Cover	10. Spring unit (additional )	16. Outlet roller, set	22. Nipples set
5. Hose guide	11. Ratchet / safety catch complete	17. Onsert	23. Outlet
6. Bushing	12. Included in pos. 11	18. Rubber Sponge washer	