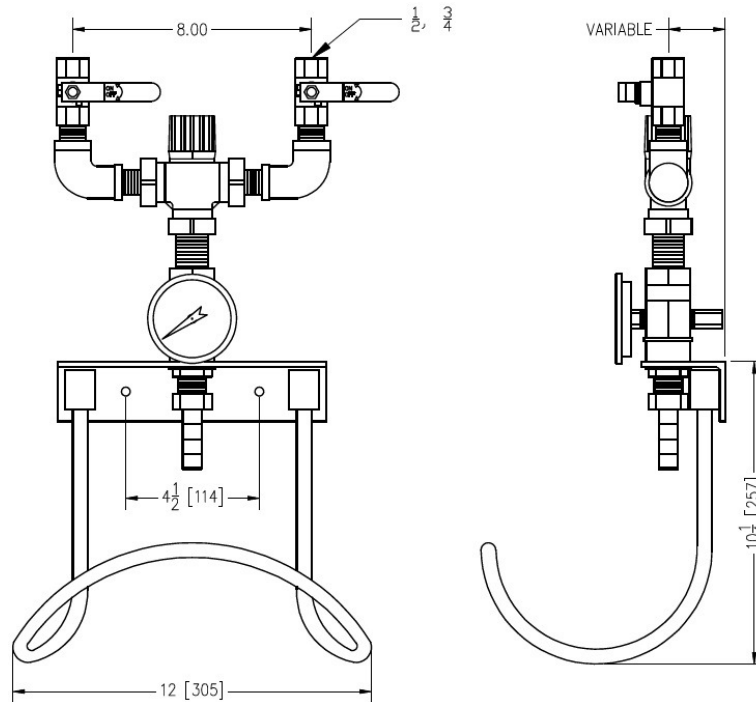


## NL-1070-TM-BV-41

### THERMOSTATIC HOT AND COLD WATER MIXER WITH BALL VALVE

NL-1070-TM-BV-41 thermostatic model for moderated flow rate with 1/2" or 3/4" (13 or 19 mm) entry, wall mounted. Mixes hot and cold water for answering your need in hot or tempered water. Keep its pre-adjusted temperature even if the water alimentation lines have some variations. Ideal for many types of cleaning tasks in every industrial plants who doesn't have access to a steam line. Rapid and easy to use.

**Unit & hose : for use with hot and cold WATER only.**



## NL-1070-TM-BV-41

### THERMOSTATIC HOT AND COLD WATER MIXER WITH BALL VALVE

#### FEATURES

- Maximum operating pressure :145 PSI (1000 kPa).
- Ideal working pressure : 1.5 to 70 PSI (10 to 483 kPa).
- Minimum flow rate : 0.5 GPM (1.9 l/min).
- Flow rate at 45 PSI (346 kPa) : 10 GPM (38 l/min).
- Exit temperature : 95 à 115°F (35 to 46°C).
- Hot water admission temperature : 120 to 195°F (49 to 91 °C) maximum.
- Cold water admission temperature : 40 to 75°F (4 to 24°C).
- Adjusted temperature precision : +/- 3°F (1.78°C).
- High quality ball valve made from stainless steel.
- Stainless steel hose rack for wall mounting.
- Different sizes of exits.
- Temperature gauge made from stainless steel with a plastic cover to reduce risk of injuries.

#### OPTIONS

- High quality (FDA) 2 ply reinforced hose good for up to 150 PSI (1034 kPa) at 200°F (93°C).
- Different kind of unions.
- Automatic gun for small or wide open water jet.
- Hose reel.
- Embedded or on-surface stainless steel case.

**For more information or any questions please contact us or view our complete catalog.**