

CHARLAND THERMOJET INC

Mixing units and hoses stations

16350 Blv. Gouin Ouest, Ste-Geneviève, Québec H9H 1E1

Toll free : 1-800-624-4709 Tel : 514-624-4772 Fax : 624-4776

E-mail : info@charlandthermojet.com Web : www.charlandthermojet.com

41-SSP

STANDARD INDUSTRIAL STAINLESS STEEL HOSE RACK

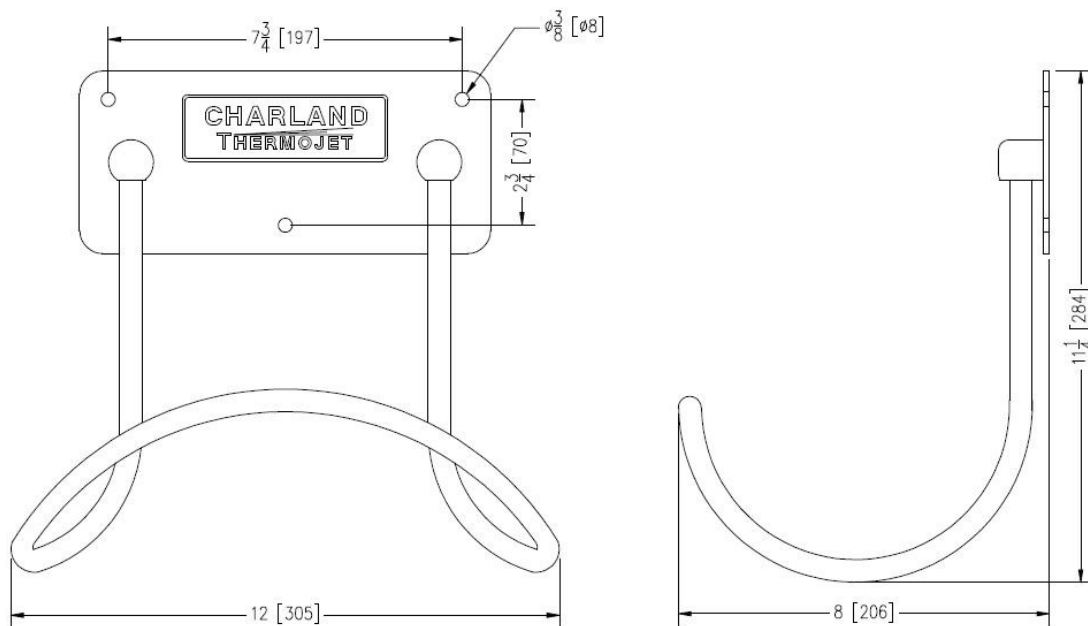
Create and manufactured especially for keeping your hose clean and well dispose. Compact and useful, this standard rack is available in different configurations depending on the chosen cleaning station. Easy to install on any wall, it is made from a 1/2" (13 mm) stainless steel rod. Include support and stainless steel wall plate.

This standard model can hold up to :

100 feet (30.5 m) of 3/8" (9.5 mm) hose.

75 feet (22.9 m) of 1/2" (13 mm) hose.

50 feet (15.2 m) of 5/8" or 3/4" (16 or 19 mm) hose.



CHARLAND THERMOJET INC

Mixing units and hoses stations

16350 Blv. Gouin Ouest, Ste-Geneviève, Québec H9H 1E1

Toll free : 1-800-624-4709 Tel : 514-624-4772 Fax : 624-4776

E-mail : info@charlandthermojet.com Web : www.charlandthermojet.com

40-SSP

SMALL INDUSTRIAL STAINLESS STEEL HOSE RACK

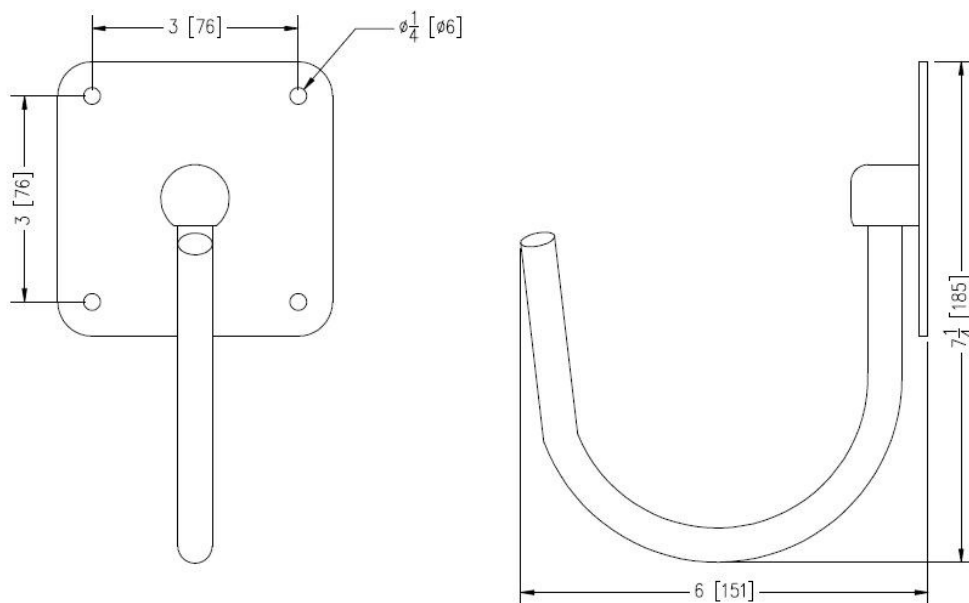
Create and manufactured especially for keeping your hose clean and well dispose. Compact and useful, this smaller rack is available in different configurations depending on the chosen cleaning station. Easy to install on any wall, it is made from a 1/2" (13 mm) stainless steel rod. Include support and stainless steel wall plate.

This smaller model can hold up to:

75 feet (22.9 m) of 3/8" (9.5 mm) hose.

35 feet (10.7 m) of 1/2" (13 mm) hose.

25 feet (7.6 m) of 5/8" or 3/4" (16 or 19 mm) hose.



For more information or any questions please contact us or view our complete catalog.