

CHARLAND THERMOJET INC

Mixing units and hoses stations

16350 Boul. Gouin Ouest, Ste-Geneviève, Québec H9H 1E1

Toll free : 1-800-624-4709 Tel : 514-624-4772 Fax : 624-4776

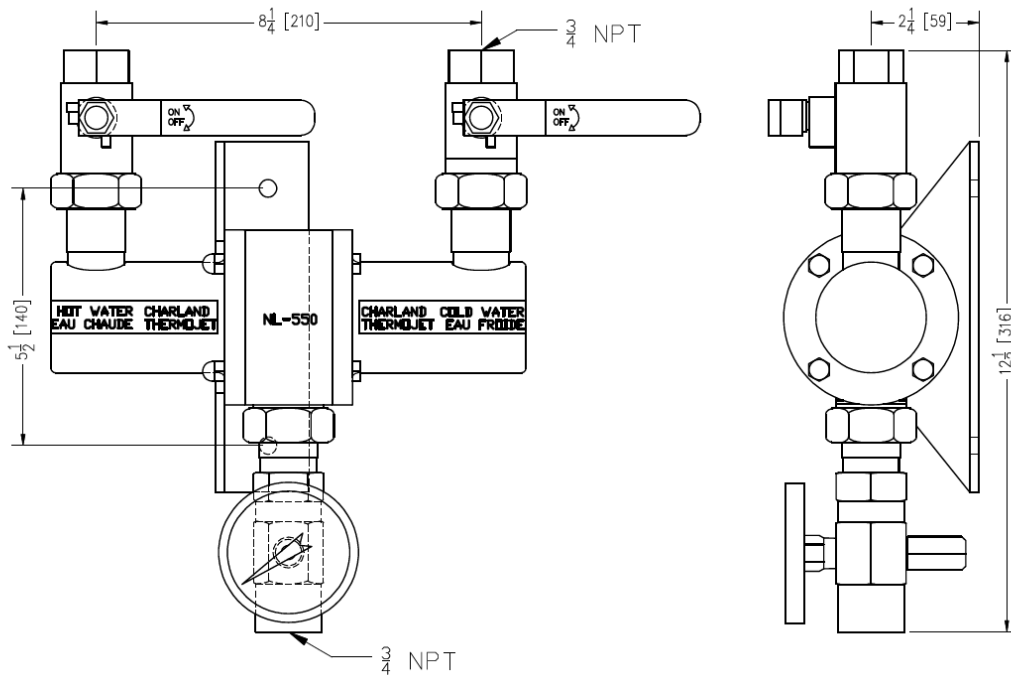
E-mail : info@charlandthermojet.com Web : www.charlandthermojet.com

NL-550-TM-BV

HOT AND COLD WATER MIXER WITH BALL VALVE

NL-550-TM-BV model wall mounted. Mixes hot and cold water for answering your need in hot or tempered water. Ideal for many types of cleaning tasks in every industrial plants who doesn't have access to a steam line. Rapid and easy to use.

Unit & hose : for use with STEAM and cold WATER only.



CHARLAND THERMOJET INC

Mixing units and hoses stations

16350 Boul. Gouin Ouest, Ste-Geneviève, Québec H9H 1E1

Toll free : 1-800-624-4709 Tel : 514-624-4772 Fax : 624-4776

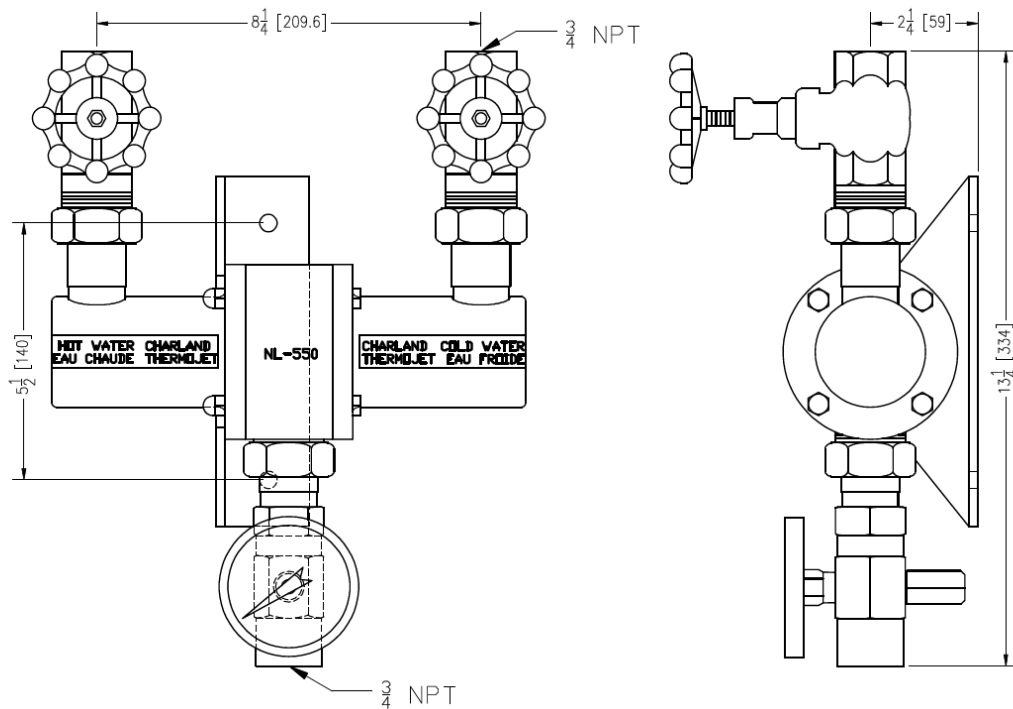
E-mail : info@charlandthermojet.com Web : www.charlandthermojet.com

NL-550-TM-GV

HOT AND COLD WATER MIXER WITH GLOBE VALVE

NL-550-TM-GV model wall mounted. Mixes hot and cold water for answering your need in hot or tempered water. Ideal for many types of cleaning tasks in every industrial plants who doesn't have access to a steam line. Rapid and easy to use.

Unit & hose : for use with STEAM and cold WATER only.



NL-550-TM-BV AND NL-550-TM-GV

HOT AND COLD WATER MIXER WITH BALL VALVE OR GLOBE VALVE

FEATURES

- Maximum operating pressure :150 PSI (1034 kPa).
- Maximum operating temperature : 200 °F (93 °C).
- Required hot water pressure : 40 à 125 PSI (276 to 862 kPa).
- Required cold water pressure : 40 à 125 PSI (276 to 862 kPa).
- High quality ball or globe valve made of brass or stainless steel.
- Body made of brass with internal part made of stainless steel.
- Integrated check valve.

OPTIONS

- Vacuum breaker.
- Temperature gauge made of stainless steel with a plastic cover to reduce risk of injuries.
- High quality (FDA) 2 ply reinforced hose good for up to 150 PSI (1034 kPa) at 200 °F (93 °C).
- Different types of unions.
- Automatic gun for small or wide open water jet.
- Stainless steel hose rack for wall mounting.
- Hose reel.
- Embedded or on-surface stainless steel case.
- All stainless steel model also available.

For more information or any questions please contact us or view our complete catalog.