

CHARLAND THERMOJET INC

Mixing units and hoses stations

16350 Boul. Gouin Ouest, Ste-Geneviève, Québec H9H 1E1

Toll free : 1-800-624-4709 Tel : 514-624-4772 Fax : 624-4776

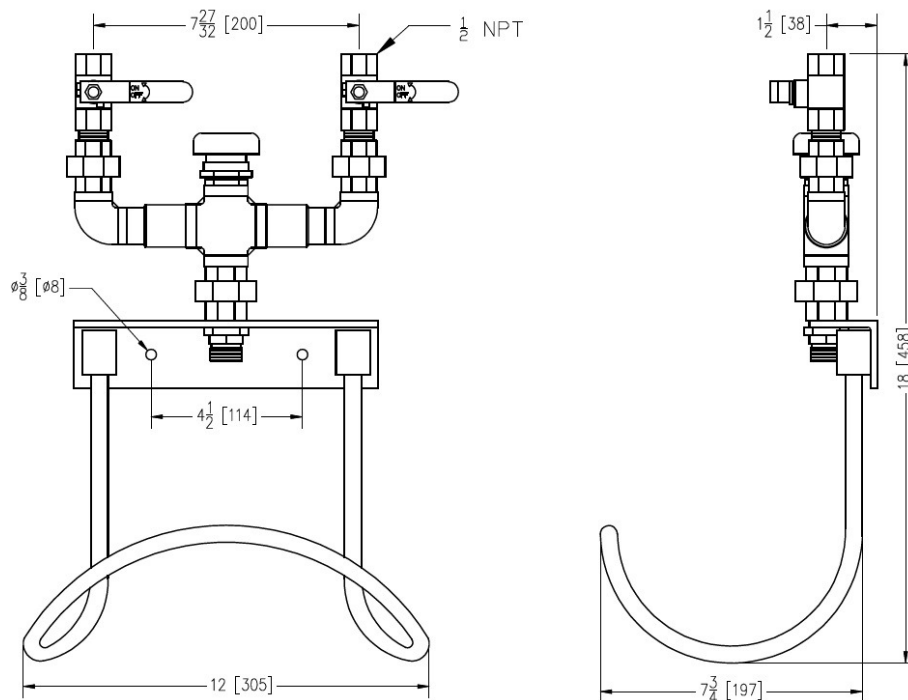
E-mail : info@charlandthermojet.com Web : www.charlandthermojet.com

L-50-BV-VB-41

HOT AND COLD WATER MIXER EQUIPPED WITH INTERNAL CHECK VALVE AND BALL VALVE

L-50-BV-VB-41 model for small or moderated flow rate with 1/2" entry wall mounted. Mixes hot and cold water for answering your need in hot or tempered water. Ideal for many types of cleaning tasks in every industrial plants who doesn't have access to a steam line. Please take note that all NL-50 models are made from stainless steel except for the vacuum breaker. Rapid and easy to use.

Unit & hose : for use with hot and cold WATER only.

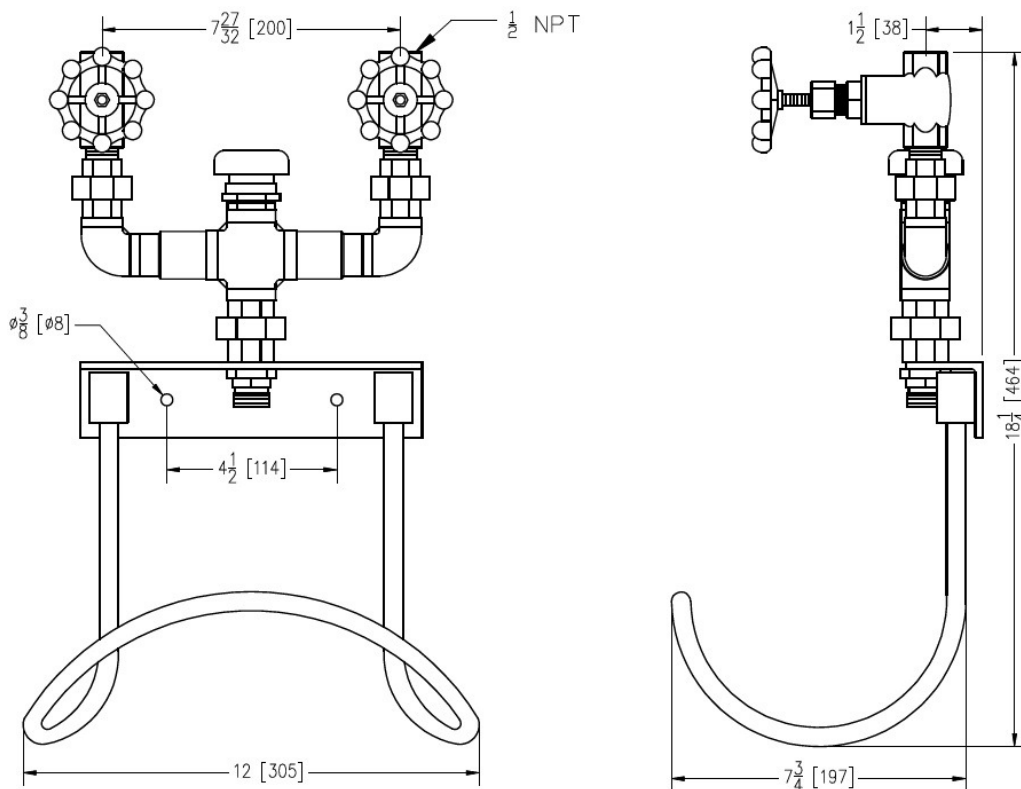


L-50-GV-VB-41

HOT AND COLD WATER MIXER EQUIPPED WITH INTERNAL CHECK VALVE AND GLOBE VALVE

L-50-GV-VB-41 model for small or moderated flow rate with 1/2" entry wall mounted. Mixes hot and cold water for answering your need in hot or tempered water. Ideal for many types of cleaning tasks in every industrial plants who doesn't have access to a steam line. Rapid and easy to use.

Unit & hose : for use with hot and cold WATER only.



NL-50-BV-VB-41 AND NL-50-GV-VB-41

HOT AND COLD WATER MIXER EQUIPPED WITH INTERNAL CHECK VALVE AND BALL OR GLOBE VALVE

FEATURES

- Maximum operating pressure :150 PSI (1034 kPa).
- Maximum operating temperature : 200 °F (93 °C).
- Required hot water pressure : 40 à 125 PSI (276 to 862 kPa).
- Required cold water pressure: 40 à 125 PSI (276 to 862 kPa).
- Vacuum breaker.
- High quality ball or globe valve made of brass.
- Body made of brass with internal part made of stainless steel.
- Integrated brass check valve.
- Different sizes of exits.

OPTIONS

- Integrated stainless steel check valve.
- Temperature gauge made from stainless steel with a plastic cover to reduce risk of injuries.
- High quality (FDA) 2 ply reinforced hose good for up to 150 PSI (1034 kPa) at 200 °F (93 °C).
- Different types of unions.
- Automatic gun for small or wide open water jet.
- Stainless steel hose rack for wall mounting.
- Hose reels.
- Embedded or on-surface stainless steel case.

For more information or any questions please contact us or view our complete catalog.