

CHARLAND THERMOJET INC

Mixing units and hoses stations

16350 Blv. Gouin Ouest, Ste-Geneviève, Québec H9H 1E1

Toll free : 1-800-624-4709 Tel : 514-624-4772 Fax : 514-624-4776

E-mail : charlandthermojet@videotron.ca Web : www.charlandthermojet.com

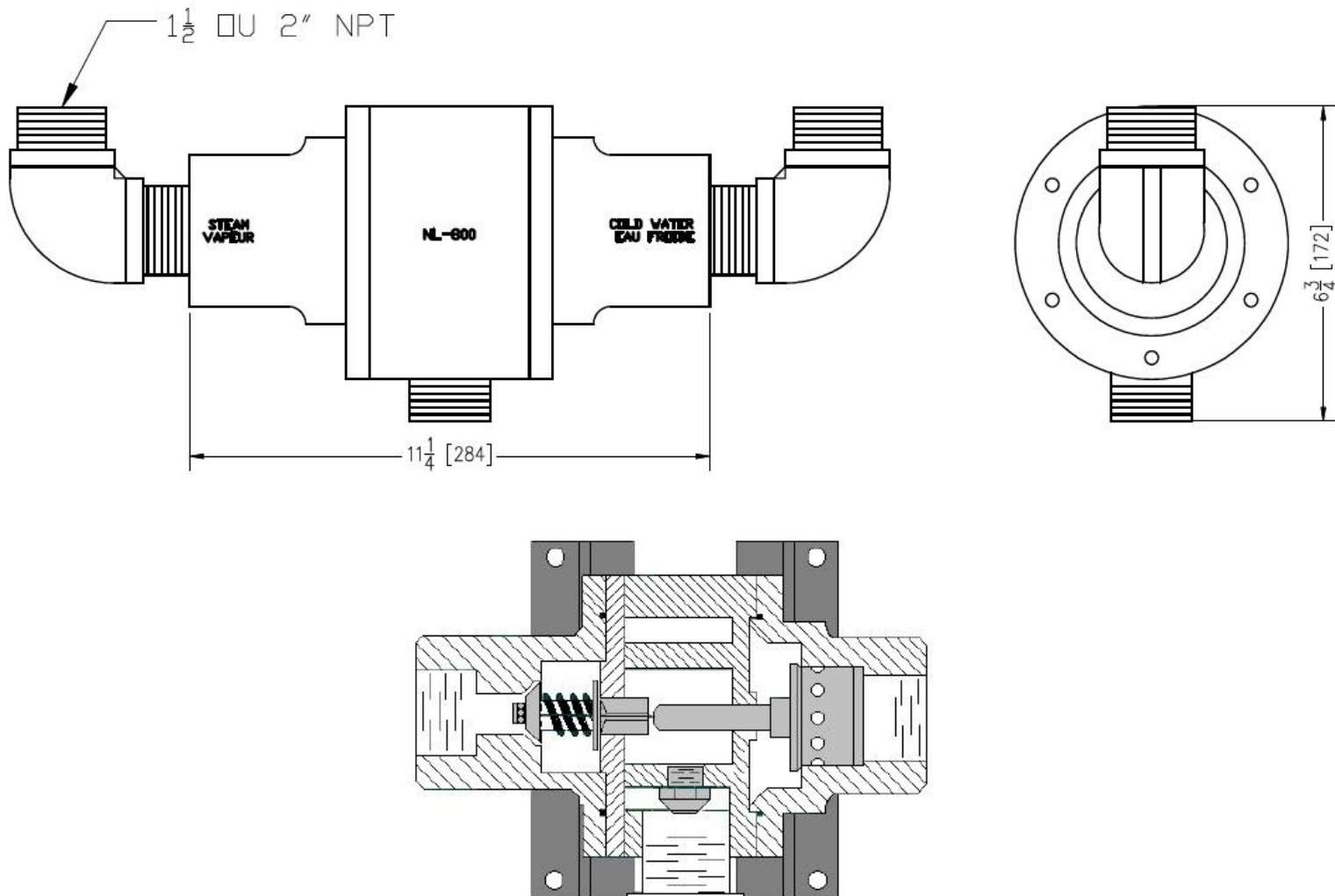
NL-800

HIGH CAPACITY STEAM AND COLD WATER MIXER

NL-800 high capacity model wall mounted. Mixes steam with cold water for answering your most demanding needs in hot water. Ideal for rapid filling of tank with water at the desired temperature. Can also be use for cleaning task who required high flow of hot water. Easy to use, this mixer is for all industrial plants who own a boiler.

Unit : for use with STEAM and cold WATER only.

****DO NOT USE WITH HOSE AND NOZZLE GUN**



NL-800

HIGH CAPACITY STEAM AND COLD WATER MIXER

FEATURES

- Normal flow rate : 15 to 40 GPM (57 to 151 l/min). (Approximative flow rate base on a steam pressure of 80 PSI (552 kPa) and a water pressure of 50 PSI (345 kPa).)
- Maximum operating pressure : 125 PSI (862 kPa).
- Maximum operating temperature : 200°F (93°C).
- Required steam pressure : 60 à 125 PSI (414 à 862 kPa).
- Required water pressure : 50 à 80 PSI (345 à 552 kPa).
- High quality ball or globe valve available in brass or stainless steel.
- Body made of brass with all the main internal parts made of stainless steel.
- Integrated check valve.

OPTIONS

- Temperature gauge made from stainless steel with a plastic cover to reduce risk of injuries.
- Different types of unions.
- Embedded or on-surface stainless steel case.
- All stainless steel model also available.

For more information or any questions please contact us or view our complete catalog.